



CLASS 300 STAINLESS STEEL TRUNNION BALL VALVE

Fig# TBL 300SS

Applicable Standards:

Steel Trunnion Ball valves, API 608

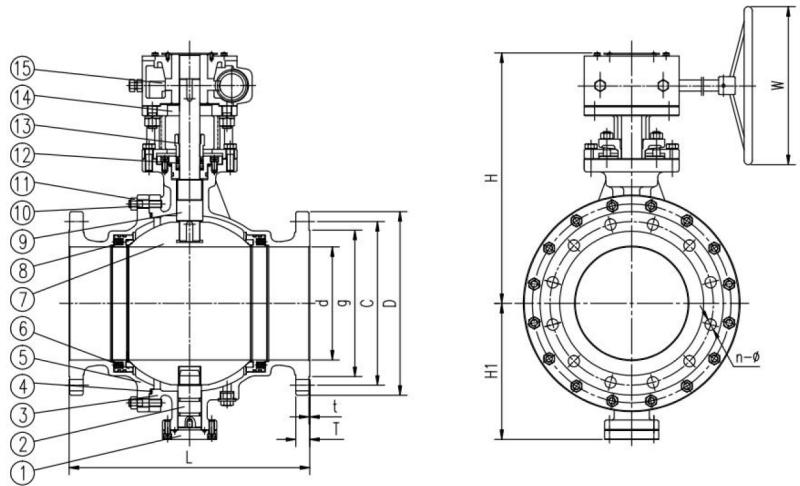
Face to Face, ASME B16.10

End Flange, ASME B16.5

Inspection and Test, API 598

Design:

Valve MFG in Accordance with NACE MR0175 Specifications



NO	PART NAME	MATERIAL
1	Cover	A351-CF8M
2	Lower stem	A276-316
3	Body	A351-CF8M
4	Gasket	316+Graphite
5	Bonnet	A351-CF8M
6	Seat ring	A182-F316
7	Ball	A276-316
8	Seat	PTFE

NO	PART NAME	MATERIAL
9	Upper stem	A276-316
10	Bonnet bolt	A193-B8M
11	Nut	A194-8M
12	Packing	PTFE
13	Gland flange	A351-CF8
14	Yoke	A351-CF8
15	Worm Gear Actuator	C.S

NPS	Typical Dimensions(in)						Class 150Lb Flange Dimensions(in)						WT Lbs
	d	L	H	H1	W	D	C	g	T	t	n	Φ	
2	2	8.5	6.02	4.12	7.87	6.5	5	3.62	0.87	0.06	8	3/4	40
2.1/2	2.1/2	9.5	6.5	5.34	7.87	7.5	5.88	4.12	1	0.06	8	7/8	59
3	3	11.13	7.68	6.05	7.87	8.25	6.62	5	1.12	0.06	8	7/8	104
4	4	12	8.39	6.83	11.02	10	7.88	6.19	1.25	0.06	8	7/8	176
5	5	15	10.07	7.81	11.02	11	9.25	7.31	1.37	0.06	8	7/8	232
6	6	15.88	12.40	8.43	11.02	12.5	10.62	8.5	1.44	0.06	12	7/8	260
8	8	19.75	15.42	10.24	11.81	15	13	10.62	1.62	0.06	12	1	440
10	10	22.38	17.17	11.85	13.78	17.5	15.25	12.75	1.87	0.06	16	1.1/8	803
12	12	25.5	19.13	14.21	17.72	20.5	17.75	15	2	0.06	16	1.1/4	1166
14	14	30	24.6	15.79	17.72	23	20.25	16.25	2.12	0.06	20	1.1/4	1630
16	16	33	28.35	18.59	17.72	25.5	22.5	18.5	2.25	0.06	20	1.3/8	2266
18	18	36	31	19.42	17.72	28	24.75	21	2.37	0.06	24	1.3/8	2900
20	20	39	33.1	22.41	17.72	30.5	27	23	2.5	0.06	24	1.3/8	3400
24	24	45	41.3	26.58	17.72	36	32	27.25	2.75	0.06	24	1.5/8	5720