



# CLASS 300 STAINLESS STEEL FLOATING BALL VALVE

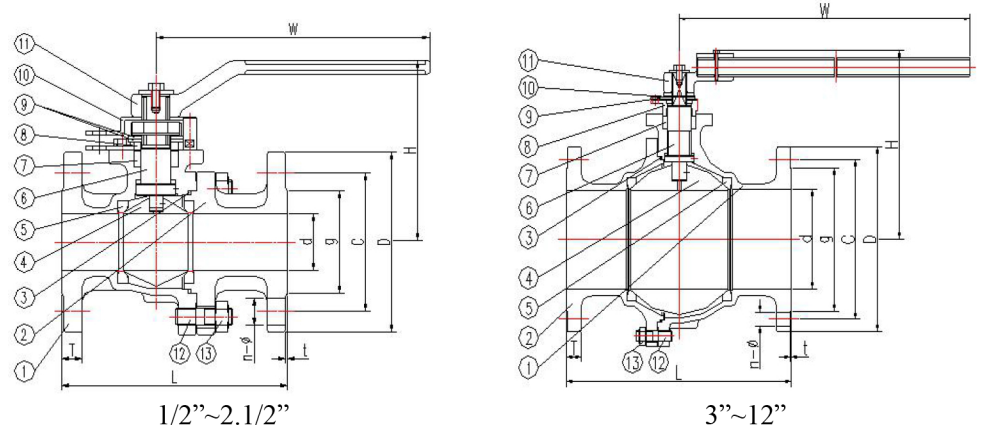
Fig# BL 300SS

**Applicable Standards:**

- Steel Ball valves, ASME B16.34
- Face to Face, ASME B16.10
- End Flange, ASME B16.5
- Inspection and Test, API 598

**Design:**

- Valve MFG in Accordance with NACE
- MR0175 Specifications



NO	PART NAME	MATERIAL
1	Body	A351-CF8M
2	Bonnet	A351-CF8M
3	Gasket	316+Graphite
4	Ball	A276-316
5	Ball Seats	PTFE/TFM1600
6	Stem	A276-316
7	Packing	PTFE/Graphite

NO	PART NAME	MATERIAL
8	Gland Flange	A351-CF8
9	Belleville Washers	A276-301
10	Lock Plate	A351-CF8
11	Lever	Steel
12	Bonnet Bolt	A193-B8M
13	Nut	A194-8M

NPS	Typical Dimensions(in)				Class 300Lb Flange Dimensions(in)							WT Lbs
	d	L	H	W	D	C	g	T	t	n	Φ	
1/2	1/2	5.5	3.58	5.12	3.75	2.62	1.38	0.56	0.06	4	5/8	5.28
3/4	3/4	6	3.7	5.12	4.62	3.25	1.69	0.62	0.06	4	3/4	8.14
1	1	6.5	3.86	5.91	4.88	3.5	2	0.68	0.06	4	3/4	11
1.1/2	1.1/2	7.5	5.02	7.87	6.12	4.5	2.88	0.81	0.06	4	7/8	21.12
2	2	8.5	5.31	7.87	6.5	5	3.62	0.87	0.06	8	3/4	28.6
2.1/2	2.1/2	9.5	6.22	11.81	7.5	5.88	4.12	1	0.06	8	7/8	41.8
3	3	11.12	7.95	13.78	8.25	6.62	5	1.12	0.06	8	7/8	66
4	4	12	8.58	15.75	10	7.88	6.19	1.25	0.06	8	7/8	101.2
5	5	15	9.71	24.56	11	9.25	7.31	1.37	0.06	8	7/8	148.5
6	6	15.88	11.3	32.68	12.5	10.62	8.5	1.44	0.06	12	7/8	193.6
8	8	19.75	14.88	40.94	15	13	10.62	1.62	0.06	12	1	358.6
10	10	22.38	16.26	41.14	17.5	15.25	12.75	1.87	0.06	16	1.1/8	523.6
12	12	25.5	18.21	45.87	20.5	17.75	15	2	0.06	16	1.1/4	762.3