

CLASS 600 STAINLESS STEEL CHECK VALVE

Fig# SC 600SSF10

Applicable Standards:

Steel Check valves, ASME B16.34

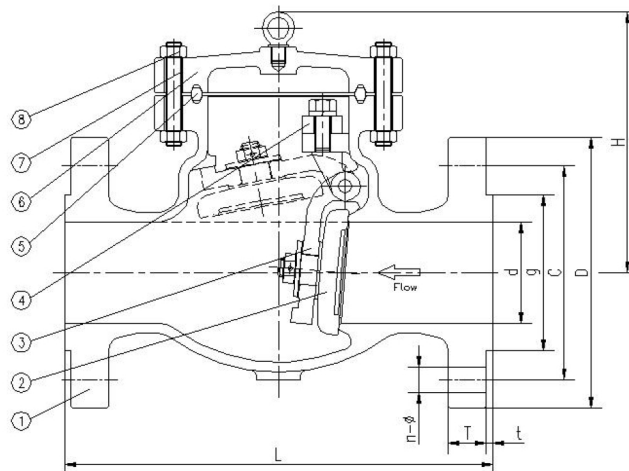
Face to Face, ASME B16.10

End Flange, ASME B16.5

Inspection and Test, API 598

Design:

Valve MFG in Accordance with NACE MR0175 Specifications



NO	PART NAME	MATERIAL
1	Body	A351-CF8M
2	Disc	A351-CF8M
3	Hinge	A351-CF8M
4	Yoke	A351-CF8M

NO	PART NAME	MATERIAL
5	Ring Joint Gasket	A182-F316
6	Bonnet	A351-CF8M
7	Bonnet Bolt	A193-B8M
8	Nut	A194-8M

NPS	Typical Dimensions(in)			Class 600Lb Flange Dimensions(in)							WT Lbs
	d	L	H	D	C	g	T	t	n	Φ	
2	2	11.5	6.12	6.5	5	3.62	1	0.25	8	3/4	41.8
2.1/2	2.1/2	13	8.27	7.5	5.88	4.12	1.12	0.25	8	7/8	94.6
3	3	14	7.56	8.25	6.62	5	1.25	0.25	8	7/8	84.7
4	4	17	9.49	10.75	8.5	6.19	1.5	0.25	8	1	160.6
5	5	20	11.61	13	10.5	7.31	1.75	0.25	8	1.1/8	352
6	6	22	12.87	14	11.5	8.5	1.88	0.25	12	1.1/8	420.2
8	8	26	15.79	16.5	13.75	10.62	2.19	0.25	12	1.1/4	794.2
10	10	31	20.5	20	17	12.75	2.5	0.25	16	1.3/8	1289
12	12	33	22.4	22	19.25	15	2.62	0.25	20	1.3/8	1597
14	14	35	24.49	23.75	20.75	16.25	2.75	0.25	20	1.1/2	2127
16	16	39	26.77	27	23.75	18.5	3	0.25	20	1.5/8	2882
18	18	43	29.61	29.25	25.75	21	3.25	0.25	20	1.3/4	3784
20	20	47	38.39	32	28.5	23	3.5	0.25	24	1.3/4	4092
24	24	55	43.74	37	33	27.25	4	0.25	24	2	7161