



## CLASS 150 STAINLESS STEEL CHECK VALVE

**Fig# SC 150SSF10**

**Applicable Standards:**

Steel Check valves, ASME B16.34

Face to Face, ASME B16.10

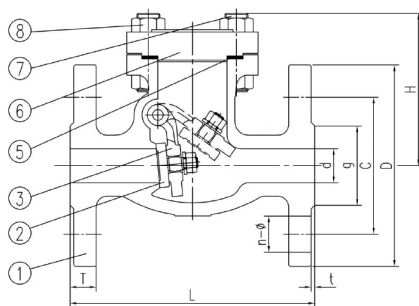
End Flange, ASME B16.5

Inspection and Test, API 598

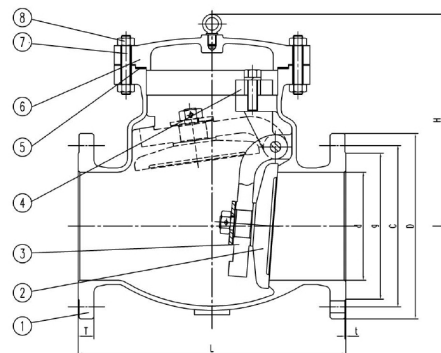
**Design:**

Valve MFG in Accordance with NACE MR0175

Specifications



1/2"~2"



2.1/2"~24"

NO	PART NAME	MATERIAL
1	Body	A351-CF8M
2	Disc	A351-CF8M
3	Hinge	A351-CF8M
4	Yoke	A351-CF8M

NO	PART NAME	MATERIAL
5	Gasket	PTFE/316+PTFE
6	Bonnet	A351-CF8M
7	Bonnet Bolt	A193-B8M
8	Nut	A194-8M

NPS	Typical Dimensions(in)			Class 150Lb Flange Dimensions(in)							WT Lbs
	d	L	H	D	C	g	T	t	n	Φ	
1/2	1/2	4.25	3.13	3.5	2.38	1.38	0.37	0.06	4	5/8	4.4
3/4	3/4	4.62	3.31	3.88	2.75	1.69	0.4	0.06	4	5/8	6.16
1	1	5	3.5	4.25	3.12	2	0.44	0.06	4	5/8	7.92
1.1/2	1.1/2	6.5	4.02	5	3.88	2.88	0.56	0.06	4	5/8	13.64
2	2	8	4.47	6	4.75	3.62	0.62	0.06	4	3/4	20.24
2.1/2	2.1/2	8.5	6.18	7	5.5	4.12	0.68	0.06	4	3/4	47.52
3	3	9.5	6.61	7.5	6	5	0.75	0.06	4	3/4	60.5
4	4	11.5	8.74	9	7.5	6.19	0.94	0.06	8	3/4	89.54
5	5	14	11.99	10	8.5	7.31	0.94	0.06	8	7/8	114.4
6	6	16	13.78	11	9.5	8.5	1	0.06	8	7/8	165
8	8	19.5	16.02	13.5	11.75	10.62	1.12	0.06	8	7/8	273.46
10	10	24.5	18.23	16	14.25	12.75	1.18	0.06	12	1	400.4
12	12	27.5	21.18	19	17	15	1.25	0.06	12	1	632.7
14	14	31	20.63	21	18.75	16.25	1.37	0.06	12	1.1/8	713
16	16	36	22.36	23.5	21.25	18.5	1.44	0.06	16	1.1/8	1063
18	18	38.5	25.43	25	22.75	21	1.56	0.06	16	1.1/4	1516
20	20	38.5	26.73	27.5	25	23	1.68	0.06	20	1.1/4	1708
24	24	51	29.92	32	29.5	27.25	1.87	0.06	20	1.3/8	3069