



## CLASS 600 STAINLESS STEEL GATE VALVE

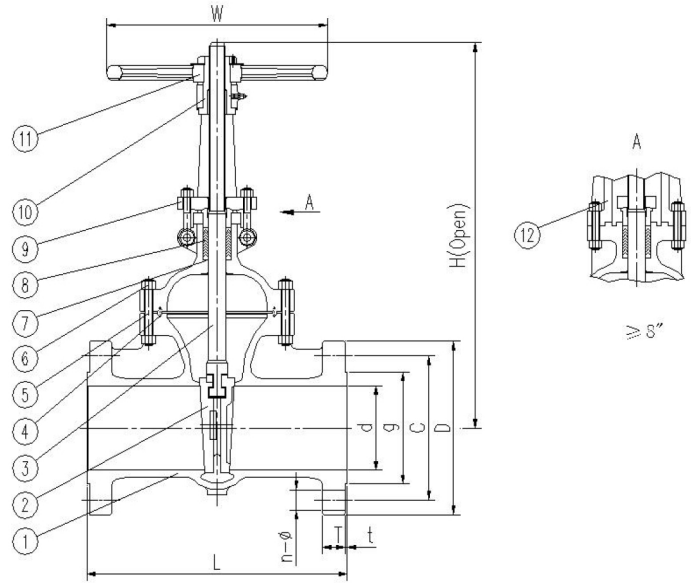
**Fig# GT 600SSF10**

**Applicable Standards:**

- Steel Gate valves, API 603
- Steel Gate valves, ASME B16.34
- Face to Face, ASME B16.10
- End Flange, ASME B16.5
- Inspection and Test, API 598

**Design:**

- OS&Y, Outside Screw and Yoke
- Flexible Wedge
- Forged T-head Stem
- Rising stem and Non-rising handwheel
- Valve MFG in Accordance with NACE MR0175 Specifications



NO	PART NAME	MATERIAL
1	Body	A351-CF8M
2	Disc	A351-CF8M
3	Stem	A276-316
4	Ring Joint Gasket	A182-F316
5	Nut	A194-8M
6	Bonnet Bolt	A193-B8M

NO	PART NAME	MATERIAL
7	Bonnet	A351-CF8M
8	Packing	PTFE
9	Gland Flange	A351-CF8
10	Stem Nut	A439-D2
11	Handwheel	A395-65-45-15
12	Yoke	A351-CF8

NPS	Typical Dimensions(in)				Class 600Lb Flange Dimensions(in)							WT Lbs
	d	L	H	W	D	C	g	T	t	n	Φ	
2	2	11.5	15.51	11.02	6.5	5	3.62	1	0.25	8	3/4	59.4
2.1/2	2.1/2	13	18.74	9.84	7.5	5.88	4.12	1.12	0.25	8	7/8	114.4
3	3	14	19.39	11.81	8.25	6.62	5	1.25	0.25	8	7/8	112.2
4	4	17	23.01	13.78	10.75	8.5	6.19	1.5	0.25	8	1	189.2
5	5	20	30.31	15.75	13	10.5	7.31	1.75	0.25	8	1.1/8	374
6	6	22	31.85	19.69	14	11.5	8.5	1.88	0.25	12	1.1/8	286
8	8	26	42.17	21.65	16.5	13.75	10.62	2.19	0.25	12	1.1/4	418
10	10	31	48.39	23.62	20	17	12.75	2.5	0.25	16	1.3/8	1736
12	12	33	57.09	26.77	22	19.25	15	2.62	0.25	20	1.3/8	2281
14	14	35	61.97	24.02	23.75	20.75	16.25	2.75	0.25	20	1.1/2	2424
16	16	39	70.75	24.02	27	23.75	18.5	3	0.25	20	1.5/8	2970
18	18	43	76.02	24.02	29.25	25.75	21	3.25	0.25	20	1.3/4	4752
20	20	47	86.89	24.02	32	28.5	23	3.5	0.25	24	1.3/4	5940
24	24	55	101.65	24.02	37	33	27.25	4	0.25	24	2	7960